

# ROME

SINCE *Original* 1964

**PUDGIE PIE IRONS**

**MARSHMALLOW ROASTING FORKS**

**HOT DOG FORKS** **CAST IRON COOKWARE**

**WHOLESALE CATALOG 2020**



ROME INDUSTRIES, INC | 1703 WEST DETWEILLER DRIVE | PEDRIA | IL 61615  
T: 800.818.7603 F: 800.936.7663 | SALES@ROMEINDUSTRIES.COM  
WWW.ROME2B.COM

# ROME'S ORIGINAL PIE IRONS™

Since 1964



"THESE CLASSIC COOKING TOOLS ARE WORTH EVERY BUTTER-SLATHERED CENT"

GEARJUNKIE.COM

**#1705 Original Square Pie Iron™ - Cast Iron**  
4 1/4" x 4 1/2" cooking head, 28" overall length  
case pack 12

The Original Square Pie Iron enjoyed around the fire for 56 years. The generous square cavity maximizes cooking space for toasted sandwiches and sweets. Our best selling design that has no rival.

**#1805 Original Round Pie Iron™ - Cast Iron**  
4 1/4" dia cooking head, 28" overall length  
case pack 12

Original Round Pie Iron design crimps the edge of the bread which seals in the sweet or savory goodness.

**#1605 Original Double Pie Iron™ - Cast Iron**  
8 1/2" x 4 1/4" cooking head, 28" overall length  
case pack 6

Rome's Original Double Pie Iron is the king of the campfire. Make two pudgie pies at a time. Also great for calzones, pastys and is versatile enough to use as a skillet.



28" LONG





#1605



3

# CAST IRON PIE IRONS™

*Creating campfire memories since 1964*

Family owned for three generations, Rome pioneered pudgie pie cooking with our Original Pie Irons. 56 years later we're still finding ways to improve upon our products and create new and exciting items for fun around the campfire. We're unique in that we create our designs in house, based on decades of experience in product design and outdoor cooking. When you buy Rome's Original Pie Iron you're supporting the company that has been responsible for every major design change in Pie Irons since the 1960s. We live and breath pudgie pie cooking and our goal is to help you and your customers create campfire memories with our fun & easy to use products.

The eye-catching packaging reinforces Rome's heritage and looks great on the shelf. Each Original Pie Iron comes with time-tested recipes, tips & instructions.

We stand by our quality by offering a TEN YEAR warranty on all Rome Original Pie Irons. This is by far the strongest warranty on the market for these items.

Happy Camping!

Michael O'Russa, President

# MORE ORIGINAL PIE IRONS™

*Unique cast iron for campfire fun*



**#1540 Original Love Pie Iron - Cast Iron**  
4 1/4" x 3 3/4" heart, x 28" overall length  
stainless steel rods & hardwood handles  
case pack 6

Campfire treats with heart! This original pie iron design from Rome makes pudgie pies for your sweet in the shape of a heart. Beautiful cast iron construction with stainless steel rods and stained & tapered hardwood handles. Patent pending.

**#1760 Original XL Square Pie Iron - Cast Iron**  
5" x 5" x 2" cooking head, 28" overall length  
stainless steel rods & wood handles - case pack 6

Make huge sandwiches, calzones, pot pies or get creative with pizza dough, tortillas, biscuit and crescent roll dough in the jumbo sized Original XL Square Pie Iron from Rome. Nearly twice as large as our regular square. Stainless steel rods & sturdy wood handles.



4

**MAKES A  
GREAT  
GIFT!**

**STAINLESS  
STEEL RODS**

#1540



**10  
WARRANTY  
YEAR**

#1760



28" LONG

**ORDER ONLINE AT [WWW.ROME2B.COM](http://WWW.ROME2B.COM)**

# SAUSAGE & QUICK BREAD

*Unique original cast iron designs*

30" LONG

**10**  
WARRANTY  
YEAR

**GRILL  
SAUSAGES,  
WRAPS  
& QUICK  
BREADS**



#1905



#1005



5

**#1005 Original Camp Bread Baker - Cast Iron**  
1 3/8" dia cooking head  
30" overall length  
case pack 4

Bake quickbreads and breadsticks in this Original Pie Iron style bread cooker. Cast iron cavity is 12" long x 1 1/2" diameter. To use, simply open the hinged cooker, butter the inside and fill half way with dough. Close and cook. Also great for any sausages or toasted wraps & burritos.

**#1905 Original Dog'n Brat Cooker - Cast Iron**  
3 5/8" x 6 1/4" cooking head  
30" overall length  
case pack 4

Rome's Dog'n Brat cooker lets you cook 3 hot dogs or sausages over the fire while sealing in the juices. Place in the cast iron cooking cavity, close and roast. Also makes cornbread sticks and other quick breads.



# ROME BURGER GRILLERS

*Grilled burgers without the grill*



If you're picnicking at a local park or camping out, too often that means placing your food on a dirty grill provided at the site. With a Rome burger griller, no need to worry! Just place it on top of the grate or simply hold over the fire.

Easy to use. Open the hinged cavity, add the patties (about 1/3 lb ea.) close/lock the cooker and roast over the fire.

#1505 Original Single Burger Griller - Cast Iron  
4 1/4" cooking head, 28" overall length  
case pack 12

#1525 Original Double Burger Griller - Cast Iron  
8" x 4" cooking head, 28" overall length  
case pack 6



#1505



#1525

FEATURED IN  
THE NY TIMES

**PERFECT FOR  
BURGERS  
CHICKEN  
CRAB CAKES  
MEATBALLS**

NOW WITH STAINLESS STEEL RODS



#1305

# ORIGINAL PANINI PRESS

*Per il vero panino italiano*

**THE ONLY  
PANINI PRESS  
DESIGNED FOR  
FIREPITS, BBQ  
& CAMPFIRES**

The Panini Press from Rome makes pressed sandwiches a breeze over an open fire. Unlike a pie iron that crimps the edge of the bread, the panini press is designed to evenly press and toast the sandwich.

The cast iron cooking surface is 8" x 4" and perfect for ciabatta and other artisan style breads. 16" rods/handles are removable from the cast iron for easy storage and cleanup.

**#1305 Original Panini Press - Cast Iron**  
8" x 4" cooking head  
16" detachable handles/rods  
22" overall length  
case pack 4



"No matter how far you have  
to carry this thing, YOU NEED IT"

**BUZZFEED.COM**

# ROME WAFFLE IRONS

*Made from traditional cast iron*

Simply put, we think waffles cooked over an open flame on cast iron just taste better. We offer three different unique designs for those looking to bring the waffle experience to camp or grill.

**#1028 Chuck Wagon Waffle Iron - Cast Iron**  
6 3/4" diameter cooking head, 23" overall length  
16" removable rod/handles  
case pack 4

Round waffle iron made from cast iron and featuring Rome's 16" long pie iron style handles for easier use over a bbq or open fire.

The wood/steel handles unscrew from the casting for cleaning and storage. Makes 6" diameter waffles.

**#1100 Old Fashioned Waffle Iron - Cast Iron**  
6 3/4" diameter cooking head, 10" overall length  
case pack 4

Traditional round design makes great waffles on two-burner camping stoves & gas burner stove tops (not recommended for electric and induction). 6 3/4" diameter and made from cast iron with built in handles.

**#1405 Campfire Waffle Iron - Cast Iron**  
3 5/8" x 6 1/2" cooking head, 30" overall length  
case pack 6

Rectangular shaped waffles made with Rome's classic Pie Iron rods/handles for use over a campfire. 30" overall length. Cook some waffles on your next campout.





# FAMILY CAMPFIRE SKILLET

*Scandinavian style outdoor skillet*

The Family Campfire Skillet is based on a Scandinavian style of outdoor skillet designed to help introduce the concepts and ideas of outdoor cooking to children with the help of an adult.

By taking a small 6" diameter skillet and attaching a long angled wood and steel handle, children can safely learn to cook food like fried eggs and pancakes over an open fire and gain a sense of accomplishment. An adult handles the more complicated aspects of cooking such as flipping and turning the food.



#1024 Family Campfire Skillet - Cast Iron  
6" diameter cast iron skillet  
39" overall length w/21" wood handle  
case pack 4



#1024

ORDER ONLINE AT [WWW.ROMEB2B.COM](http://WWW.ROMEB2B.COM) (CALL FOR PASSWORD)

# ENAMEL ROUND PIE IRON

*Lightweight stainless steel + enamel pie iron*



This round pie iron is made from stainless steel pie iron with a quality baked enamel coating. The goal in designing this pie iron was to develop an alternative to cast iron that was not only lightweight, but also easy to clean and flexible in use from the grill, firepit or campfire. We feel this was accomplished with style and special design touches that Rome pie irons are known for.

The round design trims the excess bread and makes a perfect sealed pie that's just under 5" dia. Overall length 26" Weighs 1 lb

The unique hinge construction makes opening and closing the iron a smooth motion. Inside the iron is a stainless steel campfire flame image which imprints into the bread when it toasts. Great for all kinds of sweet and savory pocket treats. Just take two pieces of bread and fill with cheeses, preserves & jam etc...

**#1460 Round Stainless Steel/Enamel Pie Iron**  
26" x 4 7/8" dia x 1" depth  
Stainless steel w/baked enamel, Wood handles  
case pack 6



#1460



# ORIGINAL PIE IRON ACCESSORIES

*Folding cook stand and pudgie multi tool*



## #1982 Pie Iron Prep Tool

6. 3/4" x 2" stainless steel

case pack 6

The multi-tool designed by pie iron fanatics for pie iron fanatics. This 6 3/4" x 2" stainless steel tool features a ladle for pie fillings, a flat side for spreading butter and edge for trimming bread. The bread trimmer is the real workhorse of the tool as easily removes the excess bread that sticks out of pie iron. We designed the curve of the steel to match the contour of our pie irons. Includes a hole for merchandising on a peg hook or hanging a lanyard.



**FOLDING GRILL  
CREATES A  
FLAT SURFACE  
FOR PUDGIE  
PIE COOKING**



## #136 Pie Iron Grilling Stand

grill surface 14" x 8"

12" legs

chrome-plated steel, case pack 6

Using a pie iron is easy and versatile. Just place it in the coals and cook until toasty. There are times when it's nice to have a firm cooking surface over the wood or coals and that is when Rome's Pie Iron Grilling Stand comes in.

The steel frame has a minimum number of crossbars to keep the weight down yet provide a flat support for up to 4 pie irons at a time. Folds flat and even fits inside our #1998 pie iron bag for storage.

# PIE IRON™ STORAGE

*Keep your pie irons clean & organized*



#1997



#1997DB

**NEW**  
2020

Canvas storage bag covers the head of your Rome pie iron to keep the soot and grime from campfire cooking contained.

Each storage bag is designed to cover one pie iron head. Made from canvas with metal button closure & hanging strap.

## #1997 Single Pie Iron Storage Bag 7.5" x 6" (11" w/hanging strap), canvas case pack 6

Designed for Rome's Original Round, Square, Love Pie and Single Burger Griller (#1505, #1540, #1705, #1805)

## #1997DB Double Pie Iron Storage Bag 10 3/4" x 8" (13" w/hanging strap), canvas case pack 6

Designed for Rome's Original Panini Press, Double Burger Griller, Double Pie Iron and XL Square (#1305, #1525, #1605, #1760)



#1998

## #1998 Pie Iron Storage Bag 30" x 10" canvas, zippered closure case pack 6

A convenient way to travel with and store your trusted collection of Rome Pie Irons. Easily holds 3 - 4 pie irons as well Rome's new folding Pie Iron grill stand (see next page.) Charcoal black canvas storage bag measures 30" x 10" and unzips on three sides for easy access.





#1984

**#1984 Original Pie Iron Kickstand**  
15" ht x 8" w x 4" depth, wrought iron  
w/high temp powdercoat  
case pack 3

The Original Pie Iron Kickstand is an clever way to cool your pie iron down after it's been pulled out of the fire. This simple and smart stand folds flat for car camping and opens up to securely hold 2 Rome pie irons at a time. Legs push into ground as needed.



**FOLDS FLAT  
FOR CAR  
CAMPING**

**PATENT  
PENDING**

**#1985 Wrought Iron Pie Iron Stand**  
22" ht x 10" x 10"  
hammered solid wrought iron w/antique finish  
case pack 1

New for 2020. Handsome wrought iron stand designed to hold 4 pie irons at the ready. Place next to the fire pit or by the fireplace hearth.

Makes a great gift item for the pie iron lover.



#1985

# PIE IRON STANDS

*A place for your pie irons to cool down*



#1986

**#1986 Firewood + Pie Iron Rack**  
32" ht x 14" w x 16" deep, rectangular steel bar construction  
case pack 2

Perfect for the backyard firepit or at the cabin, our firewood log & pie iron rack is large enough wood for a weekend of cookouts. The rack also holds 3 Rome pie irons at the ready and serves as a place for them to cool down when pulled out of the fire. There are also notches to hold several Rome roasting forks at the same time. Made from rectangular steel bar with high temp black powdercoat finish.

# PUDGIE REVOLUTION! COOKBOOKS

*Up your pie iron skills with the pudgie revolution book series*

Several years ago we were lucky enough to meet 3 lifelong friends who shared a healthy love of camping, spending time in the outdoors and most of all...making pudgie pies.

Their pie iron creativity resulted in their first book, which we were proud to publish, called "Pudgie Revolution! Pie Iron cookin' for food-lovin' campers." With fresh and imaginative recipes presented with great photography and a spiral binding for easy use at the campsite, the title has performed great for Rome and our dealers.

It didn't take long for Liv, Carrie & Jared to start working on a second cookbook which is called, "Pudgie Revolution 2 - Pushing Your Pie Iron's Potential." The latest book features more recipes that break the barriers of what you feel can be cooked in a pie iron.

## #2009 Pudgie Revolution! Cookbook

- Pie Iron Cookin' For Food-Lovin' Campers  
written by Jared Pierce, Carrie Simon, Liv Svanoë

96 pages, 6"x8"

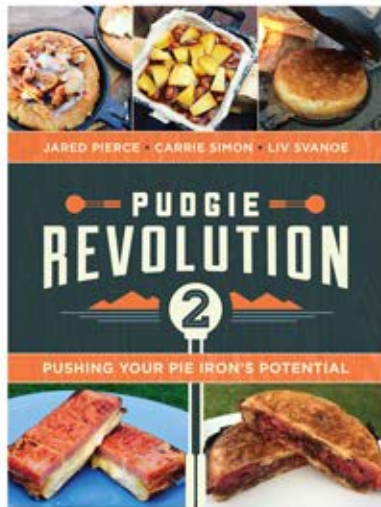
full color, metal spiral bound  
printed with soy ink in the USA  
case pack 6

## #2010 Pudgie Revolution 2 Cookbook

- Pushing Your Pie Iron's Potential  
written by Jared Pierce, Carrie Simon, Liv Sv

96 pages, 6"x8"

full color, metal spiral bound  
printed with soy ink in the USA  
case pack 6



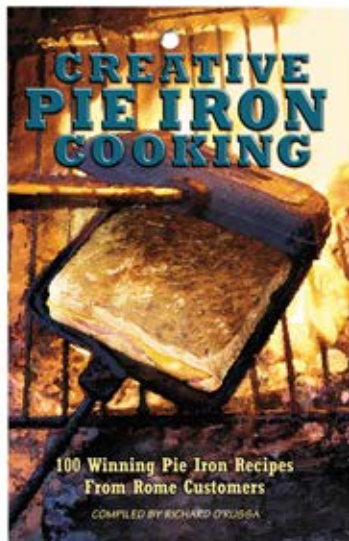
#2010



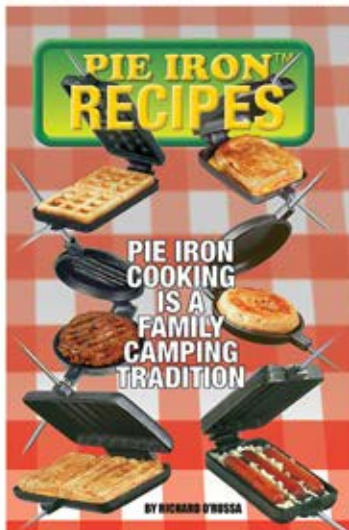
**BEST  
ROME  
SELLER**



Pudgie Revolution authors Liv, Carrie & Jared won 1st place in the dessert category and Best In Show at the Wisconsin Grilled Cheese Championship



#2011



#2000

# PIE IRON & HOT DOG COOKBOOKS

*Recipes from breakfast to dessert*



#2023

## #2000 Pie Iron Recipe Book

written by Richard O'Russa

64 pages, 5 1/2" x 8 1/2"

b/w, saddle stitch binding

printed with soy ink in USA

case pack 12

In this book, Rome founder Richard O'Russa explores the world of Pie Iron cooking with his favorite time-tested recipes covering all makes and models from round and square to double. From the classic fruit pies and desserts to tuna burgers and cuban sandwiches. A great introduction to the world of pie iron cooking.

## #2011 Creative Pie Iron Cooking

compiled by Richard O'Russa

64 pages, 5 1/2" x 8 1/2"

b/w, saddle stitch binding

printed with soy ink in USA

case pack 12

Over the past 15 years, Rome has sponsored a pie iron recipe contest for their customers that has resulted in an amazing collection of original, homegrown recipes. The recipes in this book contain the best of the best and were all personally selected by the founder of Rome, Richard O'Russa. 64 pages.

## #2023 Hot Dogs & Marshmallows Book

by Richard O'Russa

64 pages, 5 1/2" x 8 1/2" b/w, saddle stitch binding

printed with soy ink in USA

case pack 12

Fun book dedicated to one of America's signature foods - the hot dog. We explore regional and global hot dog varieties and offer lots of tasty recipes to try out around the campfire. The book also highlights marshmallow roasting and other "food on a stick" ideas. 64 pages.

**MORE RECIPE &  
OUTDOOR ACTIVITY  
BOOK TITLES  
AVAILABLE AT  
WWW.ROMEB2B.COM**

# MARSHMALLOW ROASTING FORKS

*North America's largest selection of marshmallow forks*

## #RT-12 Roaster Toaster Forks / #RT-96 Roaster Toaster Forks

20" length, chrome-plated steel

Classic 20" long marshmallow fork sold in consumer pack of 4.  
Order 12 packs at a time as #RT-12 or save & buy 96 packs as #RT-96.

## #2200 Picnic Forks

22" length, chrome-plated steel w/colored wood handles  
case pack 48

Fresh & vibrant marshmallow forks are perfect for summertime get togethers. Forks have 4 different colored wood handles. Case pack of 48 will contain 12 forks per color. A favorite for backyard s'mores.

## #2300 Marshmallow Roaster Set of 4

20" length, chrome-plated steel w/colored wood handles  
case pack: 12 sets

Retro camp marshmallow roasting forks measure 20" in length and have 4 different colored wood handles. Each set of 4 are tied together in a bundle using a gingham fabric cloth and look great on the retail shelf.

## #3000 Marshmallow & Weenie Roaster

30" length, chrome-plated steel w/silicone handle  
case pack 24

Smaller gauged wire makes this a good all around fork that works well with either dogs or marshmallows. Features a heat resistant silicone handle.

## #3000-S Marshmallow & Weenie Roaster Set of 4

30" length, chrome-plated steel  
case pack 12

Basic chrome-plated fork for marshmallow and hot dog roasting. Each fork measures 30" long. Sold in consumer retail packs of 4.

## #3200 Extension Fork

21" length, chrome-plated steel w/wood handle  
case pack 12

Nice, compact fork for car camping, extends from 21" to 32".

**ROME FORKS HAVE BEEN FEATURED IN A WIDE RANGE OF MEDIA INCLUDING LA TIMES, APARTMENT THERAPY WALL STREET JOURNAL, FAMILY CIRCLE, PARENTING BETTER H&G**







# HOT DOG FORKS

*For campfire, firepits, bonfires*



#3300

#3400

#3400-S



#3200-XL



#3600

17 #4100-12/48

## #3200-XL Extension Fork Deluxe

31" length, chrome-plated steel w/wood handle  
case pack 6

Deluxe version of our extension fork. Versatile and sturdy yet still compact for packing in the car. Features thicker steel, bigger fork tines and an extra 10" long wood handle. Extends from 31" to 41" in length.

## #3300 Big Stick Hot Dog Fork

33" length, chrome-plated steel w/wood handle  
case pack 24

The 18" long wood handle makes this fork easy for kids to hold. Smaller tines make it suitable for either marshmallows or weenies. Overall length is 33".

## #3400 Roasting Fork

34" length, chrome-plated steel w/wood handle  
case pack 12

A value priced all around hot dog fork. 34" overall length. Chrome plated steel.

## #3400-S Hot Dog Fork Set w/Gingham Bag

34" length, chrome-plated steel w/wood handle  
case pack 6 sets

Four 34" chrome-plated hot dog forks packed in a gingham cotton storage bag.

## #3600 Safe'T'Fork

43" length, chrome-plated steel w/wood handle  
case pack 12

Inverted tines for safety. A popular fork design for families. Sturdy wood handle. Ideal for all types of hot dogs & sausages.

## #4100-12 Super Duty Wiener Fork

## #4100-48 Super Duty Wiener Fork

43" length, chrome-plated steel w/wood handle

One of our most popular forks for 45 years. Large, 43" fork with turned wood handle. Great for all types of weenie roasting. Price break on 48 pack (4100-48)

# BRANCHES + TWIGS

*Marshmallow forks influenced by nature*



#2627

**#4900 Original Marshmallow Tree™**  
43" overall length  
steel with nonstick finish w/wood handle  
case pack 12

The Original Marshmallow Tree is made from steel that is bent and turned to look like the branches of a tree. Each end holds a marshmallow allowing the user to make 10 at a time. Features rosewood stained, tapered handle with leather strap. Featured on the Food Network.



**#2627 Original Stainless Steel Twiggy Fork™**  
28" overall length  
stainless steel  
case pack 12

The Original Twiggy marshmallow fork has graceful, sweeping tines that reflect the twigs of a tree. This high quality roasting fork is designed to last and is perfect for keeping at the cabin or using over the backyard firepit. 28" long fork is made from quality stainless steel with a seesham wood handle, brass eyebolt and leather hanging strap.



#2627

# SPECIALTY ROASTERS

*Innovative fun designs for campfire*



**#2636 Stainless Steel Roasting Fork w/Mango Handle**  
36" overall length  
stainless steel  
case pack 12

Perfect all around high quality fork for marshmallow and hot dogs is made from long lasting stainless steel with a sustainably grown mango wood handle.

**#2648 Stainless Steel Bonfire Fork**  
47" overall length  
stainless steel  
case pack 12

Our largest fork is a whopping 47" long and made from 100% stainless steel for long lasting durability. Perfect for large firepits and bonfires. Extra long tines work great for dogs, brats and even kebabs.

**STAINLESS STEEL**

**#606 Bread & Biscuit Stick**

38" overall length  
chrome-plated steel w/aluminum head  
21" long wood handle  
case pack 12

Make hot doughy treats over a campfire using store-bought refrigerated dough (pop-open tube style) such as buttermilk biscuits and crescent rolls. Just snake the dough onto a breadstick in a corkscrew fashion. Hold over a fire turning slowly until the dough is golden brown on the outside & puffy on the inside. Slide dough off the stick & fill the cavity with jam. Features 21" extra long wood handle.

#606

#2648

#2636

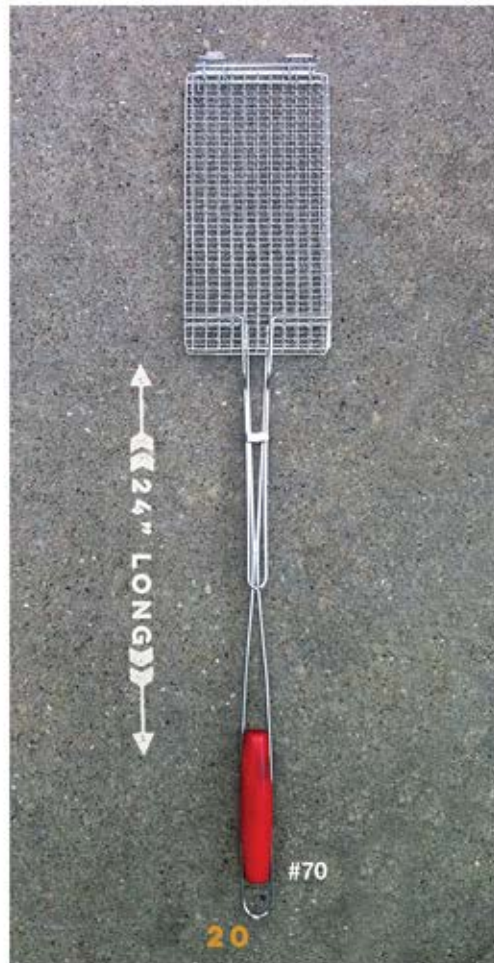
# ORIGINAL CAMPFIRE TOASTER

*The first new camp toaster in decades*



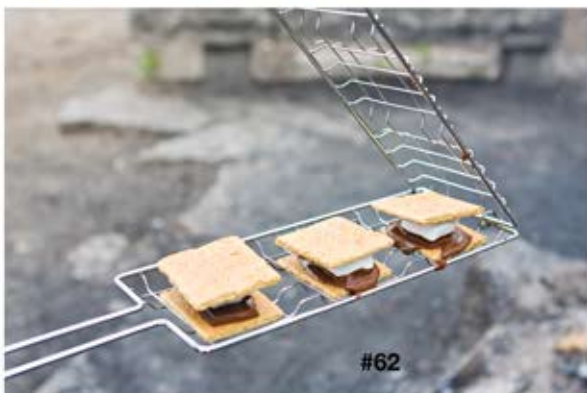
**#70 Original Campfire Toaster**  
8 1/4" x 4 1/4" x 24" overall length  
chrome-plated steel  
case pack 6

Rome campfire toaster is an elegantly simple way to toast bread over an open fire. Steel mesh crosshatch design has 3 depth adjustments for a wide variety of bread from sliced sandwich bread and Texas toast to artisanal sliced loaves and bagels. Retro red stained wood handle. Toasting surface: 8.25" x 4.25"



**TOASTER HAS  
3 HEIGHT  
ADJUSTMENTS  
FOR ALL TYPES  
OF BREAD**





#62

KEEP THE OUTDOOR INDUSTRY FRESH - SUPPORT ORIGINAL DESIGNS



↑  
29" LONG  
↓

21

# S'MORE MAKER

*The original basket style s'more maker*

Back in 2008 Rome introduced the first basket style s'more maker to the outdoor industry and in doing so changed forever the way s'mores are made.

Rome's Original S'more Maker basket is made from quality chrome-plated steel and features a hinged opening with 3 cooking cavities. Simply place a graham cracker in each cavity, add s'more fillings, top with a second row crackers and close the basket. Hold over the fire until the marshmallow softens, the chocolate begins to melt and the graham crackers become lightly toasted. Fun recipes included.

#62 Original S'more Maker  
29" overall length  
cooking area:  
12" l x 4 1/4" w x 1 3/4" ht  
chrome-plated steel  
case pack 12



# DOGGIE BASKETS

*Roast dogs without piercing the meat*



#2744

## #2744 Four-Up Safe'T'Roaster

29" overall length  
chrome-plated steel  
case pack 12

Hinged grilling basket holds 4 hot dogs or brats without piercing the meat. Great for natural casing meats that you want to keep juicy. Chrome-plated steel construction.



#2744



#2788

«29" LONG»



#2788

## #2788 Full Pack Hot Dog Roaster

29" overall length  
chrome-plated steel  
case pack 6

This chrome-plated steel roasting basket is designed to securely hold 4 foot long hot dogs at a time or 8 regular sized & bun length dogs. Hinged basket design allows the dogs to stay juicy while roasting over the fire.

# COOK & CAMP ACCESSORIES

*Designs for barbecue and open fire*



#42

**#42 Super Tong Combo**  
16" length  
chrome-plated steel  
case pack 6

An incredibly versatile & handy tool for bbq and open fire cooking. The bottom half is a stainless steel spatula and the top is a chrome-plated steel tong. The spatula slides under the food while the top half tong grabs it.

**#46 Outdoor Drink Holder**  
32 3/4" height  
steel w/white powdercoat finish  
case pack 6

Around the campfire or on the beach, simply push the steel stake into the ground to desired height and place your beverage of choice into the holder. Fits a wide variety of cans and bottles. 32 3/4" overall height.



#46



# ROME

PLACE WHOLESALE ONLINE AT [WWW.ROMEB2B.COM](http://WWW.ROMEB2B.COM)

# BASKET BROILER/DELUXE

*Original and deluxe models available*

Our versatile #66 Basket Broiler is also available as a deluxe model which includes a grilling stand to place over the fire. The stand stands 8 1/4" off the ground. A great way to cook with a basket without having to hold it over the fire. Folds up and nests inside the basket.

## #66 Basket Broiler

9" x 12" basket, 1" depth

Adjustable depth to 2 1/2"

29" overall length

chrome-plated steel

case pack 6

Basket is adjustable in depth to allow for maximum cooking versatility. This basket does not include the grill stand.

## #66-D Basket Broiler Deluxe

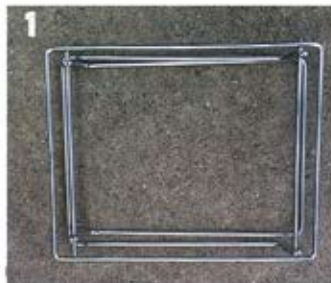
9" x 12" basket, 29" overall length

10" x 7 3/4" x 8 1/4" ht stand

chrome-plated steel

case pack 6

Basket Broiler that comes with a folding grill stand. Place over the fire for hands free cooking.



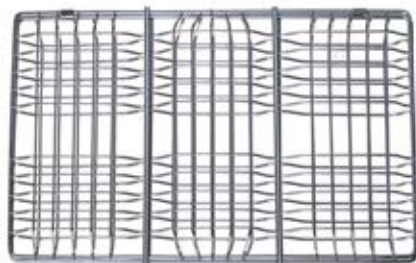
**BASKET BROILER DELUXE = HANDS FREE BASKET COOKING  
SIMPLY PUT GRILL STAND OVER THE FIRE  
PLACE BASKET ON GRILL & RELAX**





# GRILLING BASKETS

*Specially open fire hinged baskets*



#64

↑ 29" LONG ↓



#63



## #63 Grill Basket

8" x 11" basket, 1 1/2" depth

29" overall length

chrome-plated steel

case pack 12

Tight fitting edge and 3/8" wire spacing makes this basket perfect for veggies and fish.

## #64 6-up Hamburger Grill

9" x 13" basket, 1" depth

29" overall length

chrome-plated steel

case pack 6

Six wire "pockets" makes for easily grilling of burgers, chops & crab cakes.

## #65 Outdoor Pizza Grill

14" dia cooking surface, 29" overall length

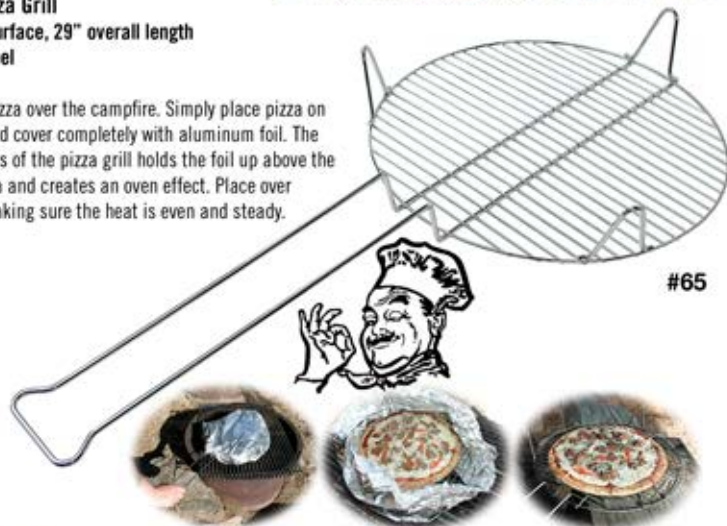
chrome-plated steel

case pack 6

Make wood-fired pizza over the campfire. Simply place pizza on the grill surface and cover completely with aluminum foil. The unique raised edges of the pizza grill holds the foil up above the surface of the pizza and creates an oven effect. Place over bbq or campfire making sure the heat is even and steady.



#63



#65

# PIONEER CAMP GRILLS

*Campfire & firepit grilling solutions*

## #123 Camp Ring Grate

24 1/2" diameter

chrome-plated steel, case pack 12

A solid cooking surface that we originally designed to fit 24" truck rims that are commonly used at campgrounds for fire rings. Many people also use this grate for backyard firepits.

## #124 Pioneer Grill

grill surface: 12 1/2" x 24", 12" legs

chrome-plated steel, case pack 6

Four heavy-duty support bars hold cook sets, pots & pans without warping. Crossbars are spaced close for cooking hamburgers, hot dogs, etc...directly on the grill. Permanently attached and rigidly braced legs fold flat for storage.

## #126 Pioneer Grate

grate surface: 12 1/2" x 24"

chrome-plated steel, case pack 6

Same heavy duty design & dimensions as the above #124, but minus the folding legs. Place on stones or across a fire ring.

## #128 Pioneer Camp Grill

grill surface: 11" x 16", 12" legs

chrome-plated steel, case pack 6

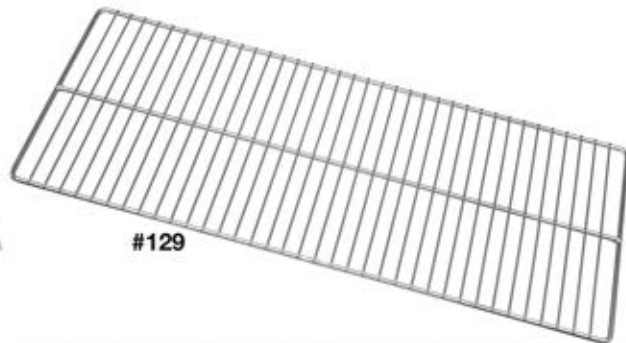
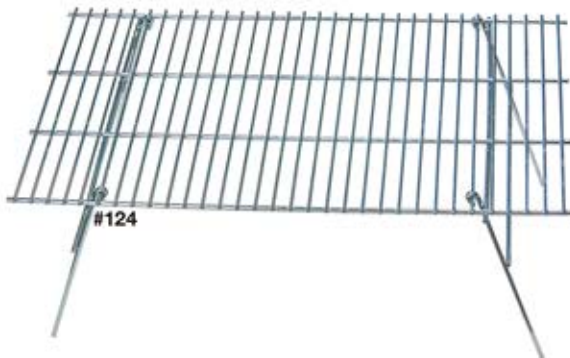
A nice folding grill that uses a thinner gauge metal than the #124 to save on weight and price. Still sturdy and good for general camp cooking. Legs fold for storage.

## #129 Pioneer Large Camp Grate

grate surface: 12" x 28"

chrome-plated steel, case pack 6

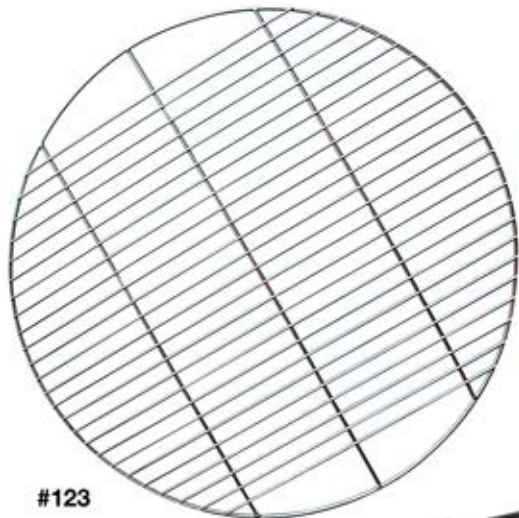
Our longest grill grate is perfect for group camping and makes the perfect cooking surface on a rock ring campfire. Also works with a variety of backyard firepits.



**FOLDING CAMP  
GRILLS AND GRATES  
TO MEET EVERY  
OPEN FIRE NEED**

# CAMP GRATES & GRILLS

*Dependable open fire grills & grates*



#123



#130



#123

**#130 Adjustable Cooking Grate**  
15" x 19.25" grill cooking dimensions  
steel w/baked enamel  
chrome-plated steel  
case pack 1

This heavy duty cooking grate with adjustable height positions is designed to fit in a standard fireplace or at the campsite. The sturdy steel grate adjusts to three different heights up to 15". Cooking grate is made from steel with a food grade baked enamel finish. Frame made from steel w/high temp powdercoat. Easily disassembles for storage.  
Cooking surface 15" x 19 1/4"  
Frame 19" deep x 23" wide  
15" overall height

# ROME

INDEPENDENT - FAMILY RUN - SINCE 1964

# GROUP CAMPING FOLDING GRILL

*Quality baked enamel on steel*



#137

Our largest camp grill - Over Three Feet Long!

Folding grill designed for large family and group gatherings

Chromeplated steel grilling surface is removable from the main frame for easy cleaning. Legs fold up for transport and storage.

When assembled the grill stands 15" off the ground.

720 cubic inch cooking space!



#137 Group Camping Folding Grill

36.75" x 20.75" x 15" height

wrought iron w/chrome plated steel grilling rack

case pack 3

# ORIGINAL TRI-POD GRILL

*Remarkable folding design only from Rome*

## LARGE TRI-POD GRILL FOLDS UP FOR CAR CAMPING & STORAGE

Rome's Original Tri-Pod Grill is the most efficient, versatile and compact car camping grill on the market.

The sturdy grill grate is made from chrome-plated steel and features a patent pending folding design which takes the 20.5" dia. grill and folds down to 20.5" x 10" x 1".

The grill adjusts vertically up to 20" over the fire for maximum cooking control.

When assembled the tri-pod stands 42" ht. Entire tri-pod breaks down to a compact 24" x 11" x 3".

Assembles in 90 seconds with no tools required



#117-EZ Original Tri-Pod Grill  
chrome-plated steel &  
high-temp powdercoat

Assembled Height : 42" Ht  
Grill Diameter: 20.5"

Tri-Pod Packs Down To : 24"x11"x3"

case pack 3

KEEP THE OUTDOOR INDUSTRY FRESH - SUPPORT ORIGINAL DESIGNS

# CAMPFIRE ROASTING PAN

*Quality baked enamel on steel*



**BAKE  
ROAST  
SAUTÉ  
PAN FRY  
OVER THE  
CAMPFIRE**



The Original Campfire Roasting Pan from Rome is an amazingly versatile piece of cookware that will quickly become a go-to essential for your campfire cooking. Roasts fish, chicken and veggies. Cook rice pilafs. Bake lasgana enchiladas and even brownies, cornbread and other quick breads. The only limitation is your imagination.

The roasting pan measures 17" x 8" with a depth of 2". Cook with or without the matching lid. Steel legs fold open and position the pan 7.5" over the coals.

Made from thick steel with a high quality baked enamel finish. Includes storage bag.

**#138 Campfire Roasting Pan (w/storage bag)**

17" x 8" x 2" deep x 7.5" height

Baked Enamel On Thick Steel w/Folding Chromeplated Steel Legs  
case pack 3



**#138**



# GROUP CAMPING FRYING PAN

*Sturdy baked enamel on steel*



**EASILY MOVE  
FRY PAN FROM  
FIRE TO TABLE  
WITH STURDY  
GRAB HANDLES**



Rome's frying pan is perfect for family and group camping. Extra large fry pan measures 15.75" diameter with a depth of 2". Angled side walls with welded handles

Great for potatoes, eggs, veggies, and fish shore lunches.

Made from thick steel with a high quality baked enamel finish.  
Includes Storage bag.

**#139 Group Camping Fry Pan (w/storage bag)**  
15.75" x 2" Deep  
Baked Enamel On Thick Steel  
case pack 3

# POPCORN POPPERS

*Original designs for hearth & campfire*

RECENTLY FEATURED  
IN WIRED MAGAZINE &  
APARTMENT THERAPY



#120-P

**#120-P Original Big Bowl Popcorn Popper**  
steel w/baked enamel finish, stainless steel hardware, wood handle  
6" depth x 8" diameter, 27" overall length  
case pack 4

The round shape of the big bowl popcorn popper is made for serious popcorn action. The hinged lid works like a charm and will cook up to 3 quarts of popcorn at a time. Steel construction features a bbq grade baked enamel cooking surface. Stainless steel hardware. Solid wood handle stays cool when cooking over a campfire or hearth. Ships assembled.



**#122-T Original Old Fashioned Popcorn Popper**  
steel w/baked enamel finish, stainless steel hardware, wood handle  
3 1/2" depth x 9" diameter  
27" overall length  
case pack 6

The nostalgic design of this popcorn popper looks great hanging hearthside, but it's not just a decorative piece. This popper makes two quarts of popcorn at a time. Also works great for chestnuts. Made from stamped steel with a bbq grade baked enamel finish. Hardware is now stainless steel. Features a quality wood handle with leather hanging strap. Rod unscrews for easy storage when car camping.

Retailer tip: May be merchandised either in display box or assembled and pegged on gondola.



#122-T